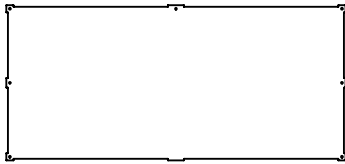


ASSEMBLY INSTRUCTIONS

PLEASE CAREFULLY READ AND FOLLOW ALL THE INSTRUCTIONS IN THE DESIGNATED SEQUENCE.

## CASE PARTS LIST:

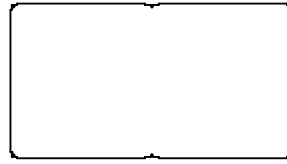
\*PART QUANTITY WILL DIFFER BETWEEN SETS



FRONT/BACK PANEL  
(2 pcs)



SIDE PANEL  
(2 pcs)



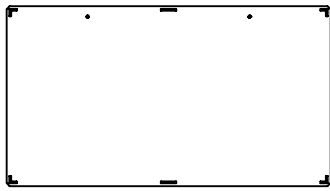
TOP PANEL  
(1 pc)



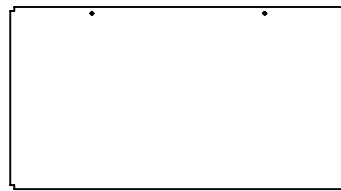
CUBE\*



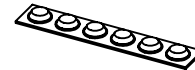
SCREW\*



BOTTOM BASE PANEL  
(1 pc)



TOP BASE PANEL  
(1 pc)



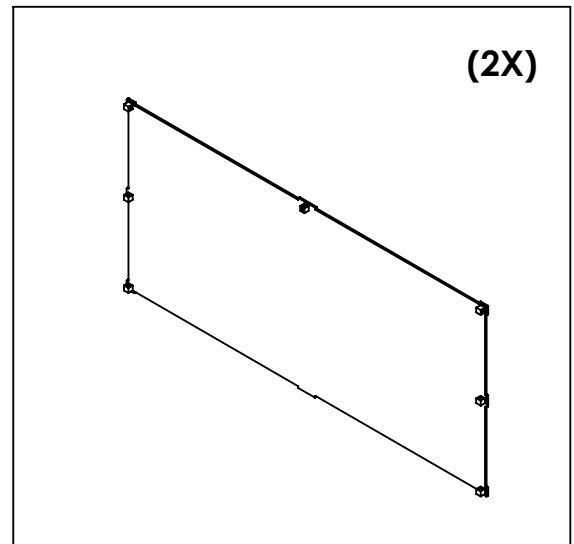
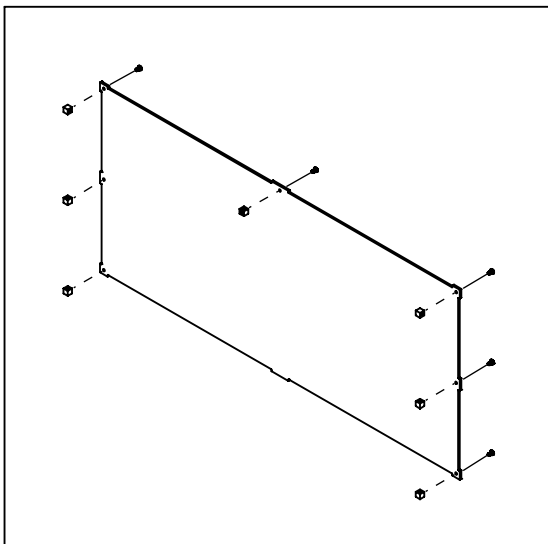
BUMPS  
(9 pcs)

\*\* RECOMMENDED: 2 PERSON ASSEMBLY FOR CASES OVER 24" IN ANY DIMENSION

## COVER ASSEMBLY

**STEP 1:** Remove protective film from both sides of each part before assembly.

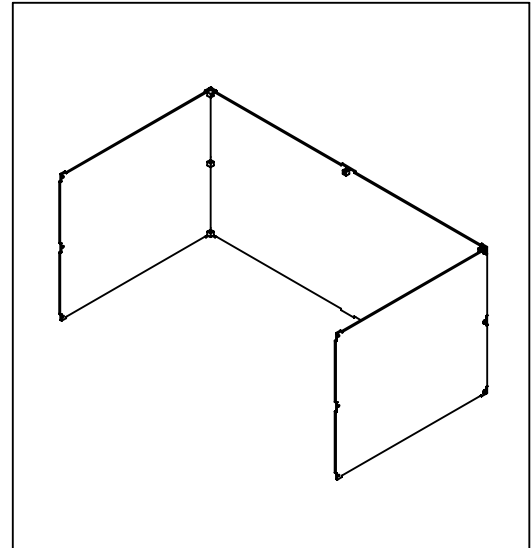
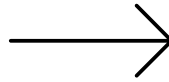
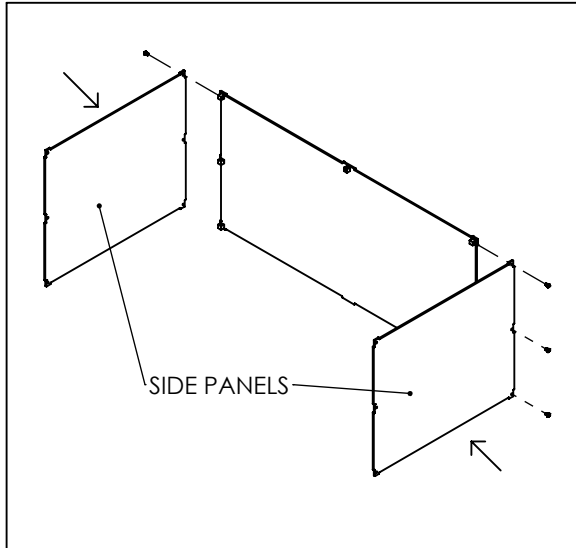
**STEP 2:** Attach Cubes to both Front/Back Panels using Screws. Do not over-tighten so that screws are easy to rotate, if the position of the holes on the cubes needs to be adjusted. Use manual tools only. Do not use power tools.



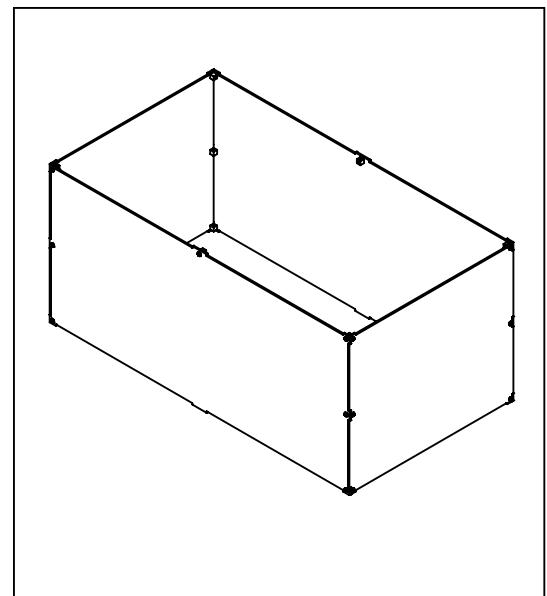
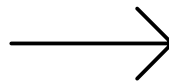
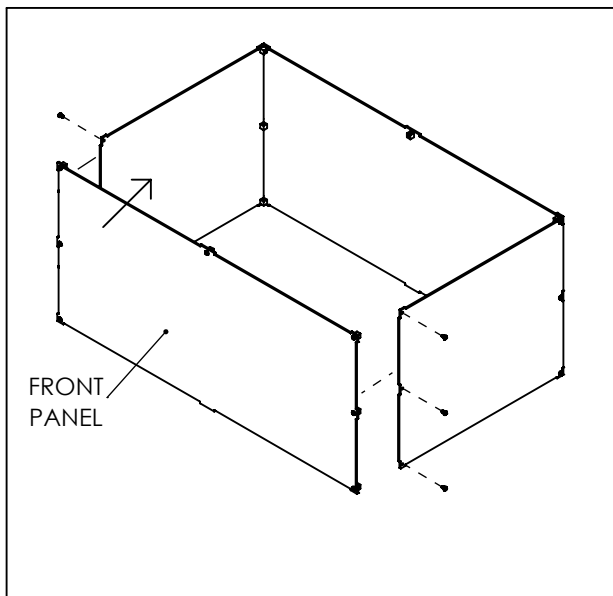
**ASSEMBLY INSTRUCTIONS**

**PLEASE CAREFULLY READ AND FOLLOW ALL THE INSTRUCTIONS IN THE DESIGNATED SEQUENCE.**

**STEP 3:** Attach both Side Panels to one Front/Back panel using screws.



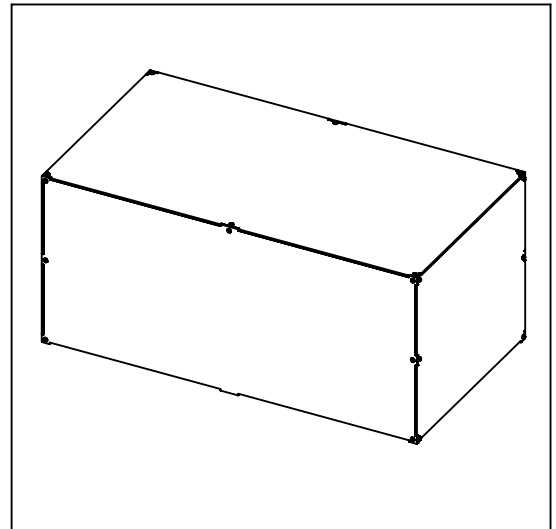
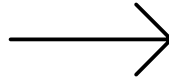
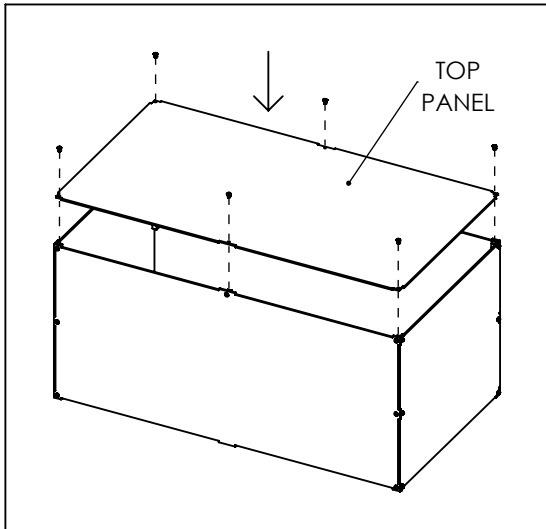
**STEP 4:** Attach other Front/Back Panels to Side Panels using Screws. Once completed, add Cubes to the top of the Side Panels if necessary.



## ASSEMBLY INSTRUCTIONS

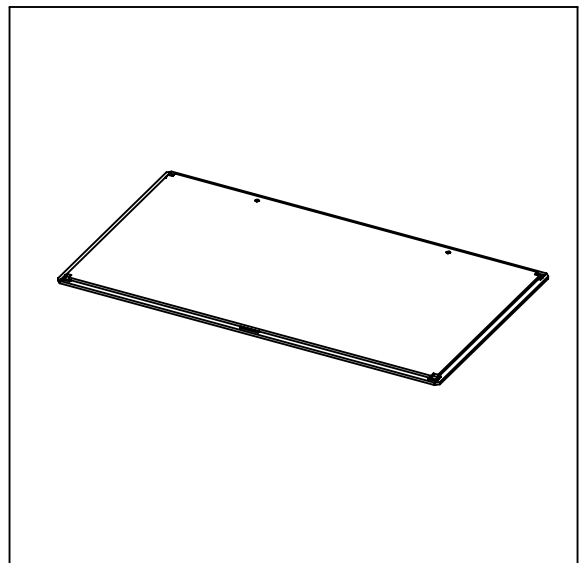
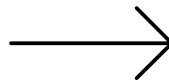
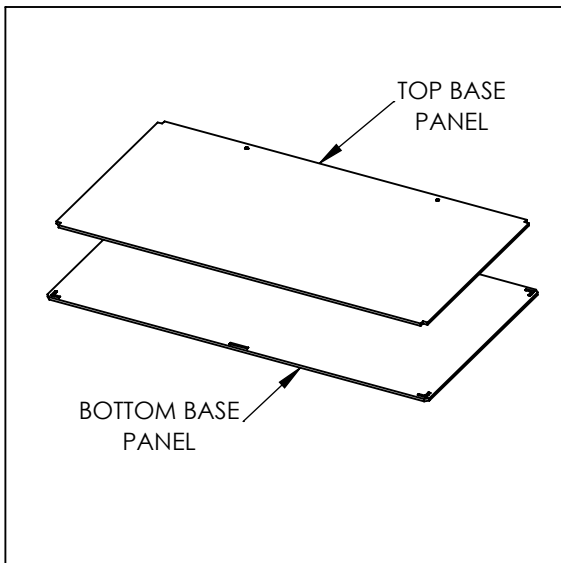
PLEASE CAREFULLY READ AND FOLLOW ALL THE INSTRUCTIONS IN THE DESIGNATED SEQUENCE.

**STEP 5:** Place Top Panel on assembled unit and attach using screws.



## BASE ASSEMBLY

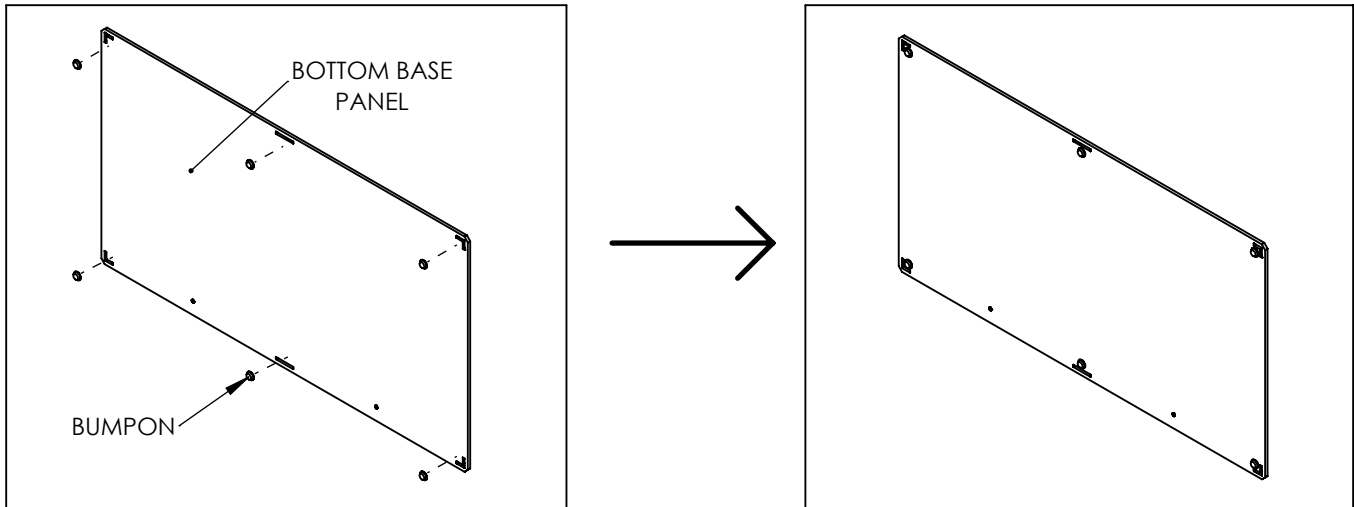
**STEP 1:** Place Top Base Panel on top of Bottom Base Panel allowing magnets to locate the panels together.



## ASSEMBLY INSTRUCTIONS

PLEASE CAREFULLY READ AND FOLLOW ALL THE INSTRUCTIONS IN THE DESIGNATED SEQUENCE.

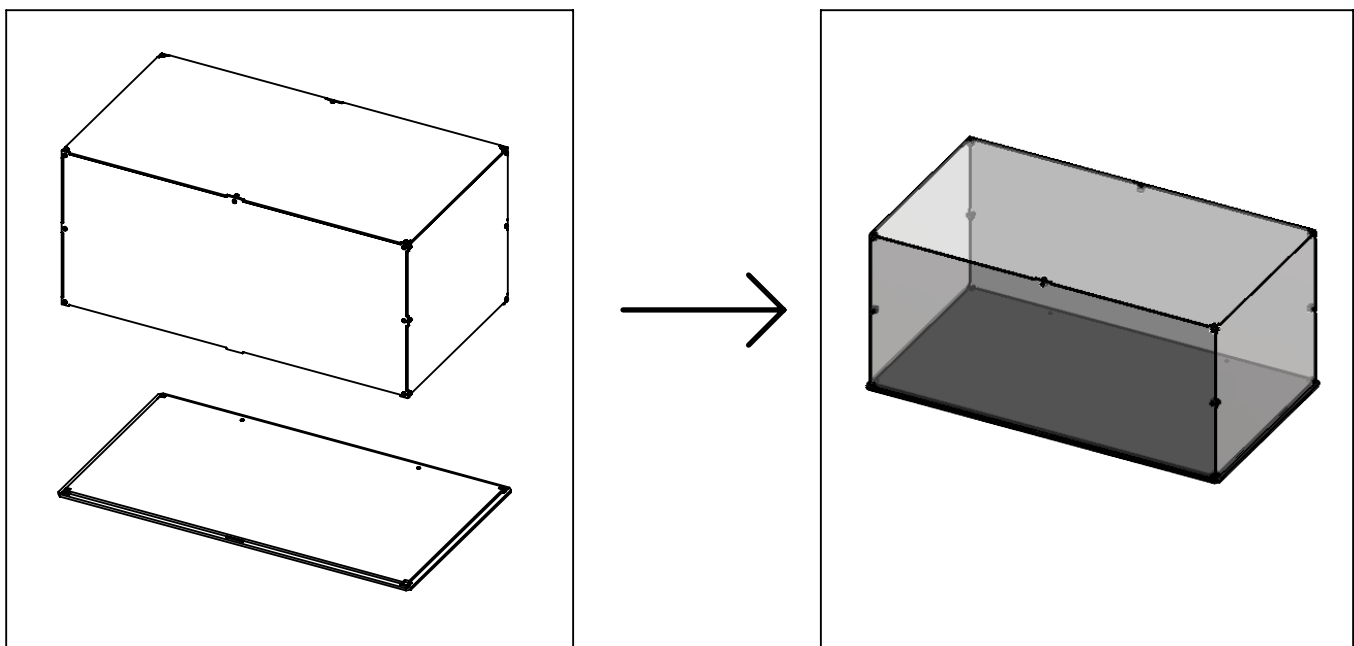
**STEP 3:** Attach Bumpons to the underside of Bottom Base Panel as shown. Ensure Bumpons don't cover slots when attaching.



**STEP 4:** Tighten all screws to make sure they are stable and the unit is sturdy. Do not over-tighten.

**Note:** To clean, use non-abrasive soft cloths with mild soap and water or Novus acrylic cleaner. **Do not use glass cleaner. Cleaners containing ammonia and alcohol as well as hand sanitizer, perfume or cologne can damage (craze) the acrylic.**

**FINAL ASSEMBLY:** After placing LEGO® set on Base Assembly, place Cover Assembly over top of set and slide tabs into slots on Base Assembly.



**ASSEMBLY INSTRUCTIONS**

**PLEASE CAREFULLY READ AND FOLLOW ALL THE INSTRUCTIONS IN THE DESIGNATED SEQUENCE.**

## ASSEMBLY COMPLETED

